



# FYREFLEX

Fire Rated Sealant



Trafalgar **Fyre** fire stopping range includes:

Sealant | Pillows | Mortar | FR Batts

FR Collars | FR Access Panels | Pipe Wraps

FyreWrap Duct Wrap | FR Downlight Covers

Intumescent Dampers | Fire Door Hardware

Fire Rated Board and Systems | Cable Coating

FYREBOX for multiple and mixed services

Fight Fire With **Fyre**

[tfire.com.au](http://tfire.com.au)

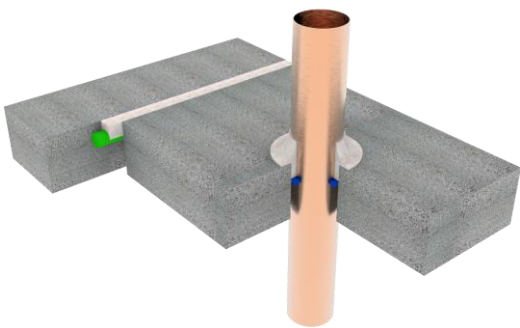
13082019

# FYREFLEX

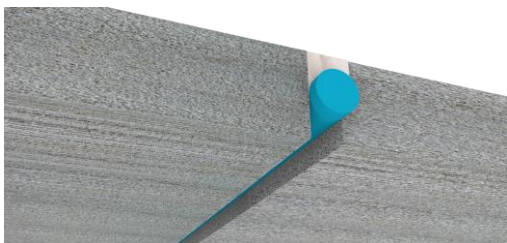
Fire Rated Sealant

## Product Overview

**Trafalgar FyreFlex Sealant** is a water based, low VOC and environmentally friendly fire rated, intumescent based sealant. FyreFlex has two distinct applications, the first being fire protection of construction and expansion joints in fire rated barriers. The second application being fire stopping of services passing through openings in fire barriers.



Metal Pipe Penetrations



Control Joints

FyreFlex is unique in that it has over 25 years of fire and acoustic testing and is therefore approved for use in most control joint or fire stopping applications required under the National Construction Code.

FyreFlex was the first commercially available latex sealant in the Australian market and has proven performance in Australia's harshest building site conditions.

To maintain market leadership, Trafalgar stay up to date with the latest technologies and trends in passive fire protection and contemporary construction techniques. **We are 70 years strong and still innovating!**

# FYREFLEX

Fire Rated Sealant

## Product Overview

### APPLICATION:

Trafalgar FyreFlex is designed for sealing internal construction and expansion joints and openings for service penetrations requiring up to 4 hour fire ratings.

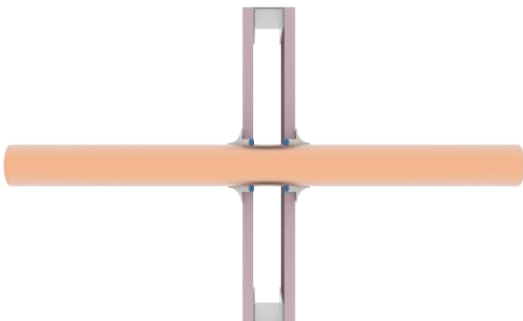
### SUITABLE FOR:

Trafalgar FyreFlex is designed for sealing internal construction and expansion joints and openings for service penetrations requiring up to 4 hour fire ratings. FyreFlex is suitable for:

- Insitu-internal joints in concrete, precast panels, block work, brick work and drywall systems.
- Sealing of electrical cables and metal pipe penetrations.
- Suitable for use with other Trafalgar products including board, mortar, pillow and collar systems.



Cable Bundles



Metal pipes through plasterboard walls

### SPECIFICATION:

Service penetrations and control joints are to be fire stopped to maintain the required FRL of the wall or floor element by treatment with FyreFlex Fire Rated Sealant in accordance with Trafalgar's instructions.

# FYREFLEX

Fire Rated Sealant

# Technical Specifications

## PRODUCT DESCRIPTION

**Fire Rating** Up to 4 hours fire rating  
(For full FRL, FyreWrap insulation will be required for some services. For 4 hour fire protection please contact Trafalgar).

**Colour** White - for service penetrations and easy painting.  
Grey - colour matched to concrete or blockwork.

**Testing** Tested and approved in accordance with AS1530.4 and AS4072.1 standards.

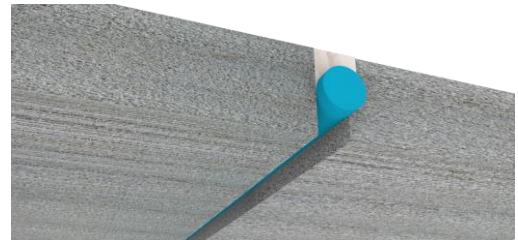
**Environment** Easy clean-up, low Volatile Organic Compounds (VOC) and Ozone Depleting Potential (ODP) formula.

**Safety** FyreFlex Sealant is a non hazardous substance, safe for general use. Please refer to product MSDS for full safety information.

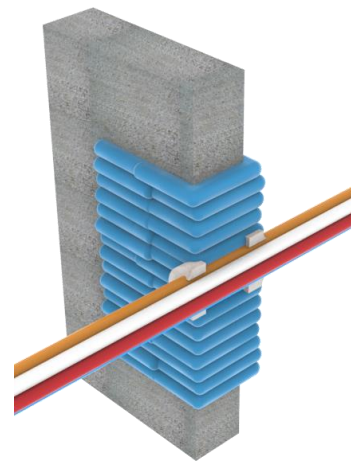
**Installation** Please refer to the FyreFlex Sealant Technical Guide for sealant fill depths.

**Shelf Life** 24 months from date of manufacture.

**Also Available** Trafalgar stocks a full range of Fire stopping products that can be used in conjunction with FyreFlex Sealant. Visit [www.tfire.com.au](http://www.tfire.com.au) for more details.



**Control Joints** - in plaster/masonry walls and floors.



**FyreFlex** - used in conjunction with FyrePlug Pillows.



**FyreFlex** - used in conjunction FyreSet Mortar.

# FYREFLEX

Fire Rated Sealant

## Ordering Information

FyreFlex Sealant					
Product	Product Code	Volume	Colour	Box Qty	Pallet Qty
FyreFlex Cartridges	FyreFlex-300W	300ml	White	20	72 Boxes
	FyreFlex-300G		Grey		
FyreFlex Sausages	FyreFlex-600W	600ml	White	18	45 Boxes
	FyreFlex-600G		Grey		
FyreFlex Pails	FyreFlex-10W	10L	White	N/A	32 Pails
	FyreFlex-10G		Grey		

### FYREFLEX SEALANT FAQ:

1. How deep should I fill FyreFlex Sealant to in my control joint or service penetration? **Fill depths differ depending on the application – refer to the FyreFlex Technical Guide.**
2. How do I ensure I achieve the correct fill depth? **Use a compressible backing rod to set the sealant depth.**
3. My 10mm diameter cable penetration is offset to one side of a 30mm opening, this okay? **Yes, maximum annular gaps around service penetrations is under 20mm.**
4. My certifier told me I need to achieve 90 minutes of insulation on my service penetration; how do I do this? **For approved cables, FyreFlex will achieve 90 minutes of insulation without the need for any further fire stopping. For metallic pipes, they will need to be wrapped with FyreWrap. Contact Trafalgar for further details.**
5. Can I use FyreFlex Sealant to fire stop plastic pipes on conduits? **No, in a fire the plastic pipe will melt leaving a hole through the fire barrier. Contact Trafalgar for appropriate fire stopping solutions.**



Trafalgar has developed a range of **installation videos** to assist our customers. To view these step by step install videos please go to [Trafalgar TV our YouTube Channel](#).

[Subscribe](#) and you will be notified when new videos are uploaded.

Trafalgar reserves the right to change specifications without notice. Please check with your supplier at the time of order. The information contained in this brochure was correct at the time of print. E&OE. Published 13.08.2019. \*Refer to Trafalgar's installation instructions.