

FIRE RATED

WALL ACCESS PANELS (FRW)



Trafalgar has the most extensive range of access panels available:

Small Sizes | Large Sizes | Custom Sizes
Tileable | Security | Acoustic | Fire Rated
Stainless Steel | Upward Opening | MDF
Touch Latch | Customwood | Service Shaft

FIRE RATED

Wall Access Panels (FRW)

Product Overview

Trafalgar Fire Rated Wall Access Panels are manufactured in Australia and have been designed for use where access is required into fire rated walls. They feature concealed hinges and provide lockable access to services. Trafalgar FRW panels have been fire tested to Australian Standard AS1530.4-2014, and have attained up to a two hour fire rating for walls and service shafts.



Trafalgar manufacture and supply a two hour fire rated wall access panel with concealed hinges and a key lock option.

Trafalgar Fire Rated Wall Access Panels are available with fire ratings of one or two hours. When installed, they sit flush with the surface, leaving a neat opening around the perimeter.

These panels are secured with an allen key style lock as standard, however a key lock option is also available.

Standard sizes of Fire Rated Wall Access Panels are readily available and competitively priced, and are easy to design and order. Custom sizes can also be manufactured to order.

Access panels are typically installed during construction, but they can also be retro-fitted when additional access is required.

Trafalgar specialise in manufacturing large **custom size** access panels with varying hinge and lock options to meet architectural specifications.

FIRE RATED

Wall Access Panels (FRW)

Technical Specifications

PRODUCT DESCRIPTION

FIRE RATING Plaster/masonry: Up to 1 hour: -/60/60
Up to 2 hour: -/120/60
HEBEL: Up to 90 minutes: -/90/-

Door Panel Paint grade Trafalgar panel incorporating Maxilite high performance fire rated board.

Frame Welded, fully primed steel.

Cut-Out Size Cut out a hole in the wall the same size as the access panel. For example, a 450x450 access panel will have a 450x450 cut out.

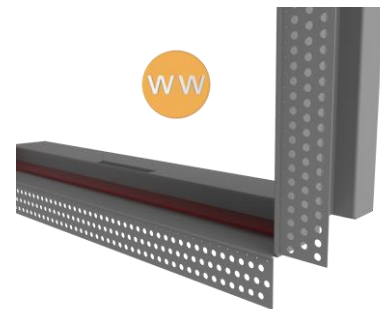
With Trafalgar FRW panels there is no need to line the inside of opening with fire rated plasterboard, unless required by the walling system.

Frame Types Flanged Edge (FE) or Wet Wall (WW)

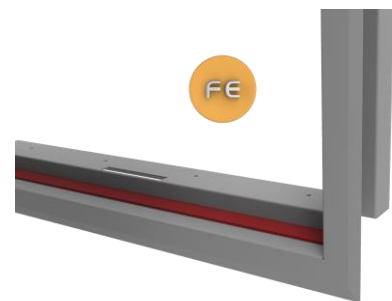
Hinge Fully concealed hinges.

Lock Budget square key lock as standard (Allen key style lock).
Key lock options available.

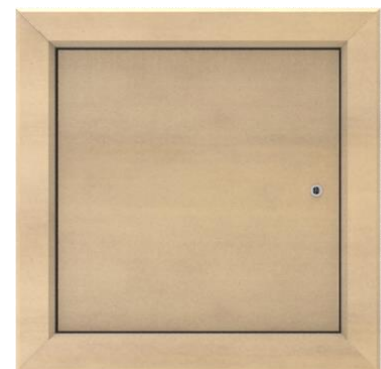
Also Available Trafalgar can custom manufacture to meet your specifications. Trafalgar also supply a comprehensive range of metal, acoustic, customwood, security and speciality access panels.



Wet Wall Frame
(Set bead for plastering in)



Flanged Edge Frame
(Architrave / picture frame)

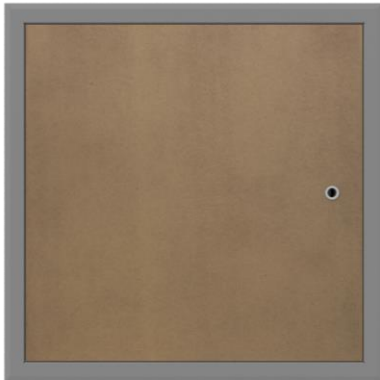


FRW Frame with MDF cover
12x60mm MDF flange can be used to achieve 60 minutes insulation rating for plasterboard/masonry walls (not supplied).

FIRE RATED

Wall Access Panels (FRW)

Ordering Information



1 HOUR FRW PANELS

- Feature fully concealed hinges.
- Key lock option available.
- Designed for use in fire rated walls.
- Easy installation. Trimming of opening not required.

1 HOUR FIRE RATED WALL ACCESS PANELS

Code	Size (mm)	Panel	Fire Rating	Frame
STOCK SIZES				
FRW1-300-FE	300 x 300	Maxilite Fire Rated Board	1 hour Plasterboard/masonry -/60/60*	Flanged Edge (Architrave)
FRW1-400-FE	400 x 400			
FRW1-450-FE	450 x 450			
FRW1-6040-FE	600 x 400			
FRW1-600-FE	600 x 600			
CUSTOM SIZES				
FRW1-Custom-FE	Any size up to 1000 x 600			
STOCK SIZES				
FRW1-300-WW	300 x 300	Maxilite Fire Rated Board	1 hour Plasterboard/masonry -/60/60*	Wet Wall (Set bead to plaster in)
FRW1-400-WW	400 x 400			
FRW1-450-WW	450 x 450			
FRW1-6040-WW	600 x 400			
FRW1-600-WW	600 x 600			
CUSTOM SIZES				
FRW1-Custom-WW	Any size up to 1000 x 600			

*12x60mm MDF architrave required for 60 minute insulation

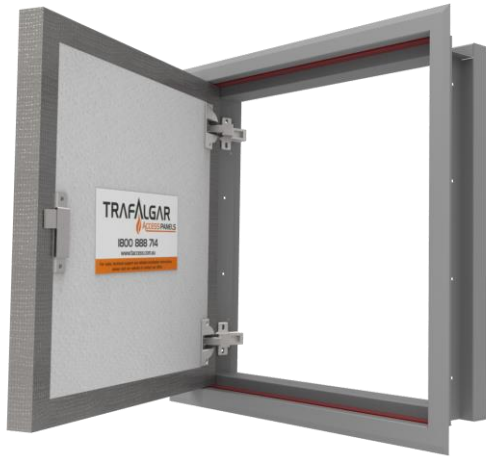
NOTE: For sizes above 1000x600mm please refer to Trafalgar's Fire Rated Service Shaft datasheet.

Trafalgar Fire Rated Wall Access Panels must be installed in accordance with Trafalgar's installation instructions – refer to page 7

FIRE RATED

Wall Access Panels (FRW)

Ordering Information



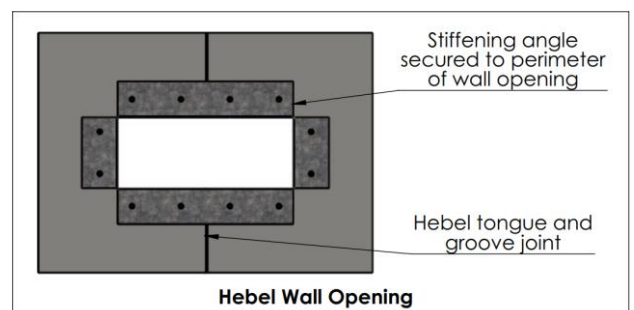
90 minute (HEBEL) FRW PANELS

- Feature fully concealed hinges.
- Budget Lockset with square key.
- Designed for use in fire rated walls.
- Easy installation.
- Trimming of opening required as per wall manufacturers specification.

HEBEL FIRE RATED WALL ACCESS PANELS

Code	Size (mm)	Panel	Fire Rating	Frame
STOCK SIZES				
FRW2-300-FE	300 x 300	Maxilite Fire Rate Board	HEBEL walls up to 90mins (-/90/-)	Flanged Edge (Architrave)
FRW2-400-FE	400 x 400			
FRW2-450-FE	450 x 450			
CUSTOM SIZES				
FRW2-Custom-FE	Any size up to 450x450			

NOTE: Large openings in HEBEL walls must be stiffened as per wall manufacturer's specification. Refer to page 9 for installation details.



Trafalgar Fire Rated Wall Access Panels must be installed in accordance with Trafalgar's installation instructions – refer to page 9

FIRE RATED

Wall Access Panels (FRW)

Ordering Information



2 HOUR FRW PANELS

- Feature fully concealed hinges.
- Key lock option available.
- Designed for use in fire rated walls.
- Easy installation. Trimming of opening not required.

2 HOUR FIRE RATED WALL ACCESS PANELS

Code	Size (mm)	Panel	Fire Rating	Frame
STOCK SIZES				
FRW2-300-FE	300 x 300	Maxilite Fire Rated Board	Plasterboard/masonry 2 hours -/120/60*	Flanged Edge (Architrave)
FRW2-400-FE	400 x 400			
FRW2-450-FE	450 x 450			
FRW2-6040-FE	600 x 400			
FRW2-600-FE	600 x 600			
CUSTOM SIZES				
FRW2-Custom-FE	Any size up to 1000 x 600			
STOCK SIZES				
FRW2-300-WW	300 x 300	Maxilite Fire Rated Board	Plasterboard/masonry 2 hours -/120/60*	Wet Wall (Set bead to plaster in)
FRW2-400-WW	400 x 400			
FRW2-450-WW	450 x 450			
FRW2-6040-WW	600 x 400			
FRW2-600-WW	600 x 600			
CUSTOM SIZES				
FRW2-Custom-WW	Any size up to 1000 x 600			

*12x60mm MDF architrave required for 60 minute insulation

NOTE: For sizes above 1000x600mm please refer to Trafalgar's Fire Rated Service Shaft datasheet.

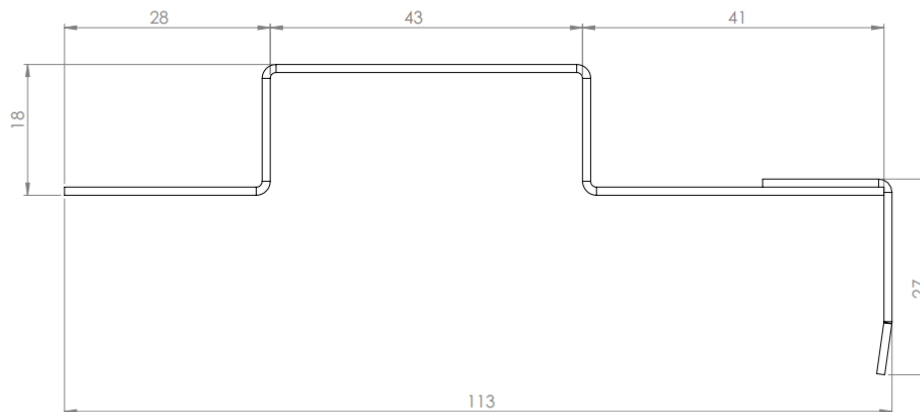
Trafalgar Fire Rated Wall Access Panels must be installed in accordance with Trafalgar's installation instructions – refer to page 7

FIRE RATED

Wall Access Panels (FRW)

Installation Instructions

FRW - Profile Details



Access Panel	Use	Construction	Fixings	Fixing Type	Max Fixing Centres
FRW	Wall	Plasterboard	8 gauge	Self-tapping	150mm
FRW	Wall	Masonry	M6	Masonry Anchor	300mm
FRW	Wall	75mm HEBEL	8 gauge	Self-tapping	300mm

Installation Instructions – Plasterboard and Masonry

1. Mark out and cut an opening in the ceiling or wall to suit the dimensions of the access panel (e.g. 450 x 450), taking into account the position of existing joists. Note that for plasterboard installs, no fire rated plasterboard lining is required.
2. With the hatch of the access panel open, insert the panel into position and fix through the fixing holes in the frame into the surrounding framework, with fixings as detailed in the table above and see drawings below (next page).

NOTE:

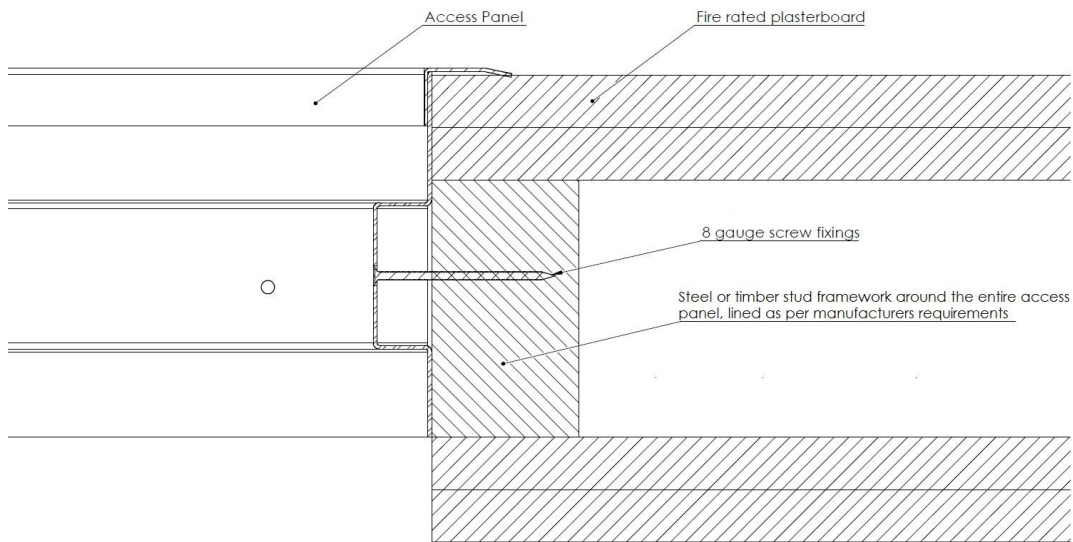
- The installation of Trafalgar Fire Rated Access Panels in plasterboard/masonry walls does not require fire rated sealant (unless required by the wall system).
- Trafalgar Fire Rated Access Panels have been fire tested to the new and more stringent requirements of Australian Standard AS1530.4-2014.

FIRE RATED

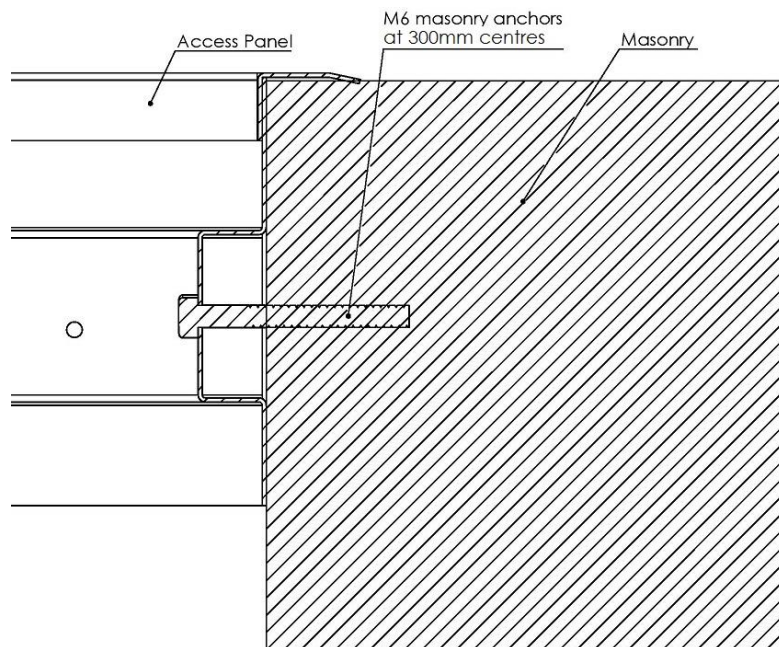
Wall Access Panels (FRW)

Installation Instructions

FRW - Plasterboard Install



FRW - Masonry Install



Trafalgar has developed a range of **installation videos** to assist our customers. To view these step by step install videos please go to www.youtube.com and search for **Trafalgar TV**. Subscribe and you will be notified when new videos are uploaded.

FIRE RATED

Wall Access Panels (FRW)

Installation Instructions

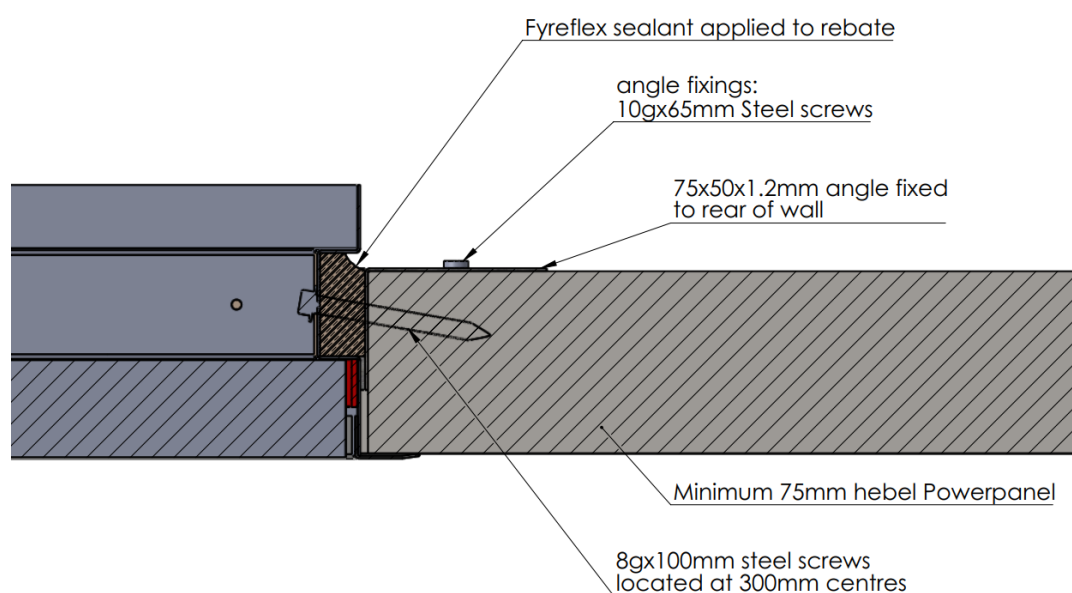
Installation Instructions – HEBEL walls

1. Mark out and cut an opening in the HEBEL wall to suit the dimensions of the access panel (e.g. 450 x 450 for a 450x450mm panel).
2. The HEBEL wall should be trimmed on the rear side with 75x50x1.2mm slotted angle (not supplied) fixed with 10gx65mm steel screws at 300mm centres as per wall manufactures specifications.
3. With the hatch of the access panel open, insert the panel into position and fix through the fixing holes in the frame into the surrounding wall, with minimum 8gx100mm screws at 300mm centres as per the below drawings.
4. Apply Fyreflex sealant to the full depth of the frame's rebate. Care should be taken to not seal the locking mechanism.

NOTE:

- Trafalgar Fire Rated Access Panels have been fire tested in HEBEL walls to the new and more stringent requirements of Australian Standard AS1530.4-2014
- Access panel must be installed over the tongue and groove joint in the HEBEL wall with the penetration located centrally over the panel joint (i.e. 225mm cut out of each panel for a 450mm opening).
- Access panel must be installed into the bare AAC wall panel, without any plasterboard facings.

FRW - HEBEL Install



Trafalgar reserves the right to change specifications without notice. Please check with your supplier at the time of order. The information contained in this brochure was correct at the time of print. E&OE. Published 16/10/2018